

# PULSAR PLUS Technical Datasheet

## General Specifications

Model	Pulsar Plus
Colour	White or Black
Cable Length	5 m (7 m optional) <sup>[1]</sup>
Charging Mode (IEC 61851-1)	Mode 3
Dimensions	166x163x82 mm (without cable)
Weight	1 kg (without cable)
Operating Temperature	-25 °C to 40 °C (50 °C with derating)
Storage Temperature	-40 °C to 70 °C
Standards	CE mark (LVD 2014/35/EU, EMC 2014/30/EU) IEC 61851-1, IEC 61851-21-2, IEC 62196-2, BS 7671:2018 <sup>[2]</sup>

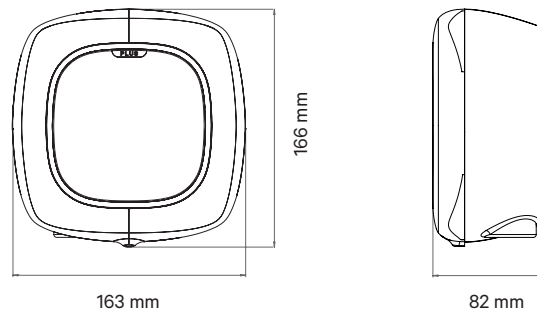
## User Interface, Connectivity, Energy Management

Connectivity	Wi-Fi, Bluetooth
User Identification	myWallbox App & Portal
User Interface	myWallbox App & Portal <sup>[6]</sup>
Charger Status Information	Halo RGB LED, myWallbox App & Portal
Compatible with	Power Boost, Eco-Smart, Power Sharing, Dynamic Power Sharing

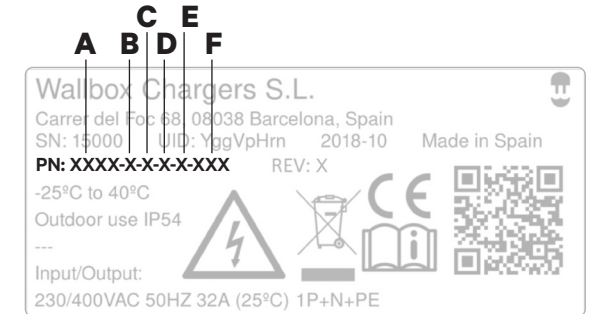
## Electrical Specifications

Charging Power	7,4 kW	11 kW	22 kW
Rated Voltage AC ± 10%	230 V	400 V	400 V
Rated Current	32 A (1P)	16 A (3P)	32 A (3P)
Connector Type (IEC 62196-2)	Type 1 / Type 2	Type 2	Type 2
Cable Width	up to 3x 10 mm <sup>2</sup>	up to 5x 10 mm <sup>2</sup>	up to 5x 10 mm <sup>2</sup>
Earthing Protection <sup>[3]</sup>	According to BS 7671:2018 requirements		
Configurable Current	from 6 A to rated current		
Rated Frequency	50 Hz / 60 Hz		
Protection Rating	IP54 / IK08		
Surge Category	CAT III		
Residual Current Detection	AC 30 mA / DC 6 mA <sup>[4]</sup>		
RCCB	External RCCB required <sup>[5]</sup>		

## Dimensions



## Part Number Structure



	Code	Definition
<b>A</b> Model	PLP1	Pulsar Plus
<b>B</b> Cable	0	5 m
	M	7 m
<b>C</b> Connector	1	Type 1
	2	Type 2
<b>D</b> Power	2	7,4 kW
	3	11 kW
	4	22 kW
<b>E</b> Additional Feature	9	Residual current detection (AC 30mA/DC 6mA)
	F	Residual current detection AC 30 mA/DC 6 mA + Earthing protection
<b>F</b> Custom	XX1	White
	XX2	Black

<sup>[1]</sup> Only available for Type 2 connectors.

<sup>[2]</sup> Only for 7,4 kW chargers

<sup>[3]</sup> Only for chargers sold in the UK region.

<sup>[4]</sup> Internal RDC-DD meets tripping time characteristics according to IEC 62955.

<sup>[5]</sup> Type A or Type B according to local regulations.

<sup>[6]</sup> OCPP compatible.